



The fork positioner for wide loads and difficult material handling requirements.

APPLICATIONS

The D-Series fork positioner is recommended for applications requiring a wide opening range to handle the load. Unlike conventional fork positioners, the D-Series fork positioner extends the forks beyond the carriage width.

FEATURES

- Excellent visibility over the top
- Rugged, lightweight construction
- Fast arm opening speeds
- High net capacity

OPTIONS

- Sideshifting
- Quick Change lower hooks
- Various load backrests
- Flow dividers
- Non-standard frame widths and opening ranges

A special application fork positioner to increase productivity, improve safety and decrease product damage.

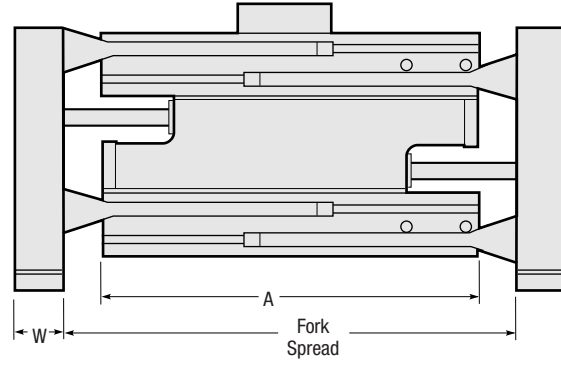
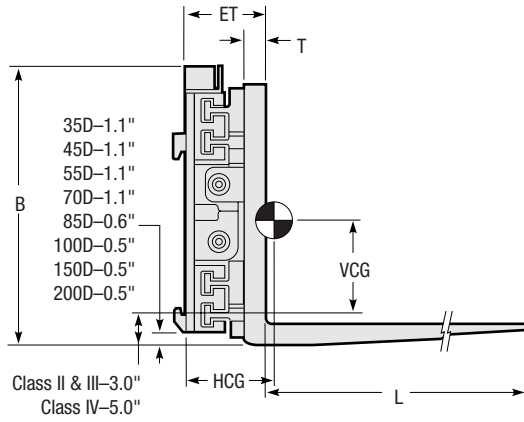


D-SERIES FORK POSITIONER



IMPORTANT: OSHA or state regulations may require the installation of backrests.

► Cascade supplied Load Backrest required.



Non-Sideshifting

Capacity @ 24" (600 mm) Load Center		Fork Size L x W x T	Opening Range ITI	Catalog Order No.	Mtg. Class	Min. Truck Carriage Width	Weight		Effective Thickness ET	Horizontal Ctr. of Gravity HCG	Vertical Ctr. of Gravity VCG	Frame Width A	Overall Height B
lbs	kg						lbs	kg					
3,500	1,590	36" x 4" x 1.50"	17.1"-61.3"	35D-FPB-01A	II	30"	550	250	6.9"	6.4"	6.8"	34"	24.5"
3,500	1,590	42" x 4" x 1.50"	17.1"-61.3"	35D-FPB-02A	II	30"	570	259	6.9"	7.5"	6.4"	34"	24.5"
3,500	1,590	48" x 4" x 1.50"	17.1"-61.3"	35D-FPB-03A	II	30"	590	268	6.9"	8.9"	5.9"	34"	24.5"
4,500	2,045	36" x 5" x 1.50"	16.1"-65.3"	45D-FPB-01A	II	35"	650	295	7.1"	6.6"	7.2"	37"	25.3"
4,500	2,045	42" x 5" x 1.50"	16.1"-65.3"	45D-FPB-02A	II	35"	675	307	7.1"	7.8"	6.9"	37"	25.3"
4,500	2,045	48" x 5" x 1.50"	16.1"-65.3"	45D-FPB-03A	II	35"	700	318	7.1"	9.1"	6.6"	37"	25.3"
5,500	2,495	36" x 5" x 2.00"	18.3"-71.3"	55D-FPB-01A	II	36"	885	402	7.6"	6.8"	8.4"	40"	28.0"
5,500	2,495	42" x 5" x 2.00"	18.3"-71.3"	55D-FPB-02A	II	36"	925	420	8.2"	8.0"	7.7"	40"	28.0"
5,500	2,495	48" x 5" x 2.00"	18.3"-71.3"	55D-FPB-03A	II	36"	960	436	8.2"	8.9"	7.4"	40"	28.0"
7,000	3,180	36" x 5" x 2.00"	18.3"-71.3"	70D-FPB-01B	III	36"	930	422	7.9"	6.6"	8.2"	40"	28.0"
7,000	3,180	42" x 5" x 2.00"	18.3"-71.3"	70D-FPB-02B	III	36"	965	438	8.5"	7.9"	7.8"	40"	28.0"
7,000	3,180	48" x 5" x 2.00"	18.3"-71.3"	70D-FPB-03B	III	36"	1,000	454	8.5"	8.7"	7.5"	40"	28.0"
8,500	3,860	42" x 6" x 2.00"	16.6"-77.0"	85D-FPB-01B	III	40"	1,520	690	9.6"	8.3"	14.1"	48"	32.2"
8,500	3,860	48" x 6" x 2.00"	16.6"-77.0"	85D-FPB-02B	III	40"	1,560	708	9.6"	9.2"	13.9"	48"	32.2"
8,500	3,860	54" x 6" x 2.00"	16.6"-77.0"	85D-FPB-03B	III	40"	1,600	726	9.6"	10.1"	13.7"	48"	32.2"
8,500	3,860	60" x 6" x 2.00"	16.6"-77.0"	85D-FPB-04B	III	40"	1,640	745	9.6"	11.0"	13.5"	48"	32.2"
10,000	4,540	42" x 6" x 2.25"	16.6"-77.0"	100D-FPB-01B	III	40"	1,570	713	9.9"	8.3"	14.1"	48"	32.2"
10,000	4,540	48" x 6" x 2.25"	16.6"-77.0"	100D-FPB-02B	III	40"	1,610	731	9.9"	9.2"	13.9"	48"	32.2"
10,000	4,540	54" x 6" x 2.25"	16.6"-77.0"	100D-FPB-03B	III	40"	1,660	754	9.9"	10.1"	13.7"	48"	32.2"
10,000	4,540	60" x 6" x 2.25"	16.6"-77.0"	100D-FPB-04B	III	40"	1,700	772	9.9"	11.0"	13.5"	48"	32.2"
10,000	4,540	42" x 6" x 2.25"	16.6"-77.0"	100D-FPB-01C	IV	40"	1,570	713	9.9"	8.3"	12.1"	48"	32.2"
10,000	4,540	48" x 6" x 2.25"	16.6"-77.0"	100D-FPB-02C	IV	40"	1,610	731	9.9"	9.2"	11.9"	48"	32.2"
10,000	4,540	54" x 6" x 2.25"	16.6"-77.0"	100D-FPB-03C	IV	40"	1,660	754	9.9"	10.1"	13.7"	48"	32.2"
10,000	4,540	60" x 6" x 2.25"	16.6"-77.0"	100D-FPB-04C	IV	40"	1,700	772	9.9"	11.0"	11.5"	48"	32.2"
15,000	6,810	48" x 7" x 2.50"	22.4"-89.9"	150D-FPB-01C	IV	45"	2,600	1,180	10.3"	8.5"	11.0"	58"	34.7"
15,000	6,810	60" x 7" x 2.50"	22.4"-89.9"	150D-FPB-02C	IV	45"	2,775	1,260	10.3"	10.6"	10.6"	58"	34.7"
20,000	9,080	48" x 8" x 2.50"	20.7"-103.4"	200D-FPB-01N	Bolt-On				Consult Cascade				
20,000	9,080	60" x 8" x 2.50"	20.7"-103.4"	200D-FPB-02N	Bolt-On				Consult Cascade				

- Fork positioners are built to order. Contact Cascade Customer Support Center for availability.
- Optional load backrest available.
- Optional sideshifting fork positioner available.

INSTALLATION KIT

Catalog Order No.
659245