



## The fork positioner for demanding material handling requirements.

### APPLICATIONS

The F-Series sideshifting fork positioner is recommended for applications in distribution, manufacturing, food processing and limited outdoor uses. The top mount sideshift cylinder provides good visibility over the top and through the middle for handling a variety of pallet configurations.

### FEATURES

- No-weld installation
- Sideshift cylinder fixed hose termination
- Center mount combination 4- and 5-inch wide fork carriers
- Smooth, even fork travel
- Various load backrest heights available

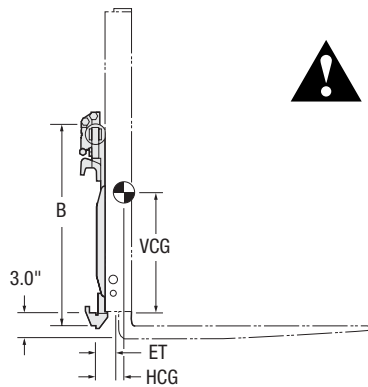
### OPTIONS

- Sequence valve for use with a single auxiliary valve
- Solenoid valve for use with a single auxiliary valve
- Quick Disconnect lower mounting hooks
- Non-sideshifting models
- Bronze bearings
- Bronze lower hooks

*A smooth operating sideshifting fork positioner to increase productivity, improve safety and decrease product damage.*

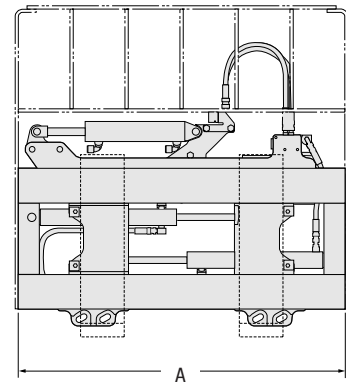


# F-SERIES FORK POSITIONER



**IMPORTANT: OSHA or state regulations may require the installation of backrests.**

▶ Cascade supplied Load Backrest required.



| Capacity @<br>24" (600 mm)<br>Load Center |       | Frame<br>Width<br>Without<br>Backrest | Opening<br>Range ① | Fork Pocket<br>Width | Catalog<br>Order No. | Mtg. Class | Min. Truck<br>Carriage<br>Width | Weight |     | Effective<br>Thickness | Horizontal<br>Ctr. of Gravity | Vertical<br>Ctr. of Gravity | Overall Width<br>w/Backrest | Overall<br>Height |
|---|-------|---------------------------------------|--------------------|----------------------|----------------------|------------|---------------------------------|--------|-----|------------------------|-------------------------------|-----------------------------|-----------------------------|-------------------|
| lbs                                       | kg    | A                                     | ITO                |                      |                      |            |                                 | lbs    | kg  | ET                     | HCG                           | VCG                         | B                           | B                 |
| <b>With Backrest (48" height)</b>         |       |                                       |                    |                      |                      |            |                                 |        |     |                        |                               |                             |                             |                   |
| 5,500                                     | 2,495 | 37"                                   | 1.2"-34.5"         | 5.0"                 | <b>55F-FPS-A137</b>  | II ②       | 31"                             | 300    | 136 | 2.70"                  | 1.7"                          | 15.0"                       | 38"                         | 23.5"             |
| 5,500                                     | 2,495 | 41"                                   | 1.2"-38.5"         | 5.0"                 | <b>55F-FPS-A141</b>  | II ②       | 37"                             | 325    | 147 | 2.70"                  | 1.7"                          | 15.3"                       | 42"                         | 23.5"             |
| 5,500                                     | 2,495 | 49"                                   | 1.2"-46.5"         | 5.0"                 | <b>55F-FPS-A149</b>  | II ②       | 41"                             | 369    | 167 | 2.70"                  | 1.7"                          | 15.3"                       | 50"                         | 23.5"             |
| 10,000                                    | 4,540 | 41"                                   | 1.8"-37.5"         | 6.0"                 | <b>100F-FPS-B141</b> | III        | 37"                             | 503    | 228 | 3.65"                  | 2.3"                          | 14.6"                       | 42"                         | 29.5"             |
| 10,000                                    | 4,540 | 49"                                   | 1.8"-45.5"         | 6.0"                 | <b>100F-FPS-B149</b> | III        | 41"                             | 567    | 257 | 3.65"                  | 2.2"                          | 14.7"                       | 50"                         | 29.5"             |
| 10,000                                    | 4,540 | 61"                                   | 1.8"-57.5"         | 6.0"                 | <b>100F-FPS-B161</b> | III        | 49"                             | 668    | 303 | 3.65"                  | 2.2"                          | 14.7"                       | 62"                         | 29.5"             |
| 10,000                                    | 4,540 | 72"                                   | 1.8"-68.5"         | 6.0"                 | <b>100F-FPS-B172</b> | III        | 61"                             | 940    | 426 | 3.65"                  | 2.2"                          | 14.8"                       | 73"                         | 29.5"             |
| 12,000                                    | 5,450 | 41"                                   | 1.8"-37.5"         | 6.0"                 | <b>120F-FPS-C141</b> | IV         | 37"                             | 660    | 300 | 4.00"                  | 2.7"                          | 19.6"                       | 42"                         | 34.0"             |
| 12,000                                    | 5,450 | 49"                                   | 1.8"-45.5"         | 6.0"                 | <b>120F-FPS-C149</b> | IV         | 41"                             | 743    | 338 | 4.00"                  | 2.6"                          | 19.7"                       | 50"                         | 34.0"             |
| 12,000                                    | 5,450 | 61"                                   | 1.8"-57.5"         | 6.0"                 | <b>120F-FPS-C161</b> | IV         | 49"                             | 865    | 398 | 4.00"                  | 2.6"                          | 19.7"                       | 62"                         | 34.0"             |
| 12,000                                    | 5,450 | 72"                                   | 1.8"-68.5"         | 6.0"                 | <b>120F-FPS-C172</b> | IV         | 61"                             | 1,050  | 560 | 4.00"                  | 2.6"                          | 19.8"                       | 73"                         | 34.0"             |
| <b>Without Backrest</b>                   |       |                                       |                    |                      |                      |            |                                 |        |     |                        |                               |                             |                             |                   |
| 5,500                                     | 2,495 | 37"                                   | 1.2"-34.5"         | 5.0"                 | <b>55F-FPS-A037</b>  | II ②       | 31"                             | 226    | 103 | 2.70"                  | 1.3"                          | 10.2"                       | 38"                         | 23.5"             |
| 5,500                                     | 2,495 | 41"                                   | 1.2"-38.5"         | 5.0"                 | <b>55F-FPS-A041</b>  | II ②       | 37"                             | 244    | 111 | 2.70"                  | 1.3"                          | 10.2"                       | 42"                         | 23.5"             |
| 5,500                                     | 2,495 | 49"                                   | 1.2"-46.5"         | 5.0"                 | <b>55F-FPS-A049</b>  | II ②       | 41"                             | 278    | 126 | 2.70"                  | 1.4"                          | 10.3"                       | 50"                         | 23.5"             |
| 10,000                                    | 4,540 | 41"                                   | 1.8"-37.5"         | 6.0"                 | <b>100F-FPS-B041</b> | III        | 37"                             | 427    | 194 | 3.65"                  | 2.1"                          | 11.8"                       | 42"                         | 29.5"             |
| 10,000                                    | 4,540 | 49"                                   | 1.8"-45.5"         | 6.0"                 | <b>100F-FPS-B049</b> | III        | 41"                             | 483    | 219 | 3.65"                  | 1.9"                          | 11.9"                       | 50"                         | 29.5"             |
| 10,000                                    | 4,540 | 61"                                   | 1.8"-57.5"         | 6.0"                 | <b>100F-FPS-B061</b> | III        | 49"                             | 571    | 259 | 3.65"                  | 1.9"                          | 11.9"                       | 62"                         | 29.5"             |
| 10,000                                    | 4,540 | 72"                                   | 1.8"-68.5"         | 6.0"                 | <b>100F-FPS-B072</b> | III        | 61"                             | 725    | 329 | 3.65"                  | 1.9"                          | 11.9"                       | 73"                         | 29.5"             |
| 12,000                                    | 5,450 | 41"                                   | 1.8"-37.5"         | 6.0"                 | <b>120F-FPS-C041</b> | IV         | 37"                             | 550    | 250 | 4.00"                  | 2.5"                          | 16.8"                       | 42"                         | 34.0"             |
| 12,000                                    | 5,450 | 49"                                   | 1.8"-45.5"         | 6.0"                 | <b>120F-FPS-C049</b> | IV         | 41"                             | 621    | 282 | 4.00"                  | 2.3"                          | 16.9"                       | 50"                         | 34.0"             |
| 12,000                                    | 5,450 | 61"                                   | 1.8"-57.5"         | 6.0"                 | <b>120F-FPS-C061</b> | IV         | 49"                             | 734    | 333 | 4.00"                  | 2.3"                          | 16.9"                       | 62"                         | 34.0"             |
| 12,000                                    | 5,450 | 72"                                   | 1.8"-68.5"         | 6.0"                 | <b>120F-FPS-C072</b> | IV         | 61"                             | 865    | 393 | 4.00"                  | 2.3"                          | 16.9"                       | 73"                         | 34.0"             |

- ▶ Forks are not included with attachment.
- ▶ 8" total sideshift—For non-sideshift option consult Cascade.
- ▶ Optional fork pocket widths available. Consult Cascade.
- ▶ **60" fork maximum length.** For longer forks, contact Cascade.
- ① 55F adjustable to 4"-wide forks—deduct 2" from outside spread dimension; 100F adjustable to 5" forks—deduct 2" from outside spread dimension. 120F ITO as shown. F Series fork positioners can accommodate high shank forks. Other fork pocket widths available. Consult Cascade.
- ② Class III available, Class II forks required for mounting on 55F fork positioner.

## INSTALLATION KIT

Catalog  
Order No.  
**224042**

## NOTE

**For 15,000 lbs capacity, class IV requirements, refer to the Cascade 150H Fork Positioner.**